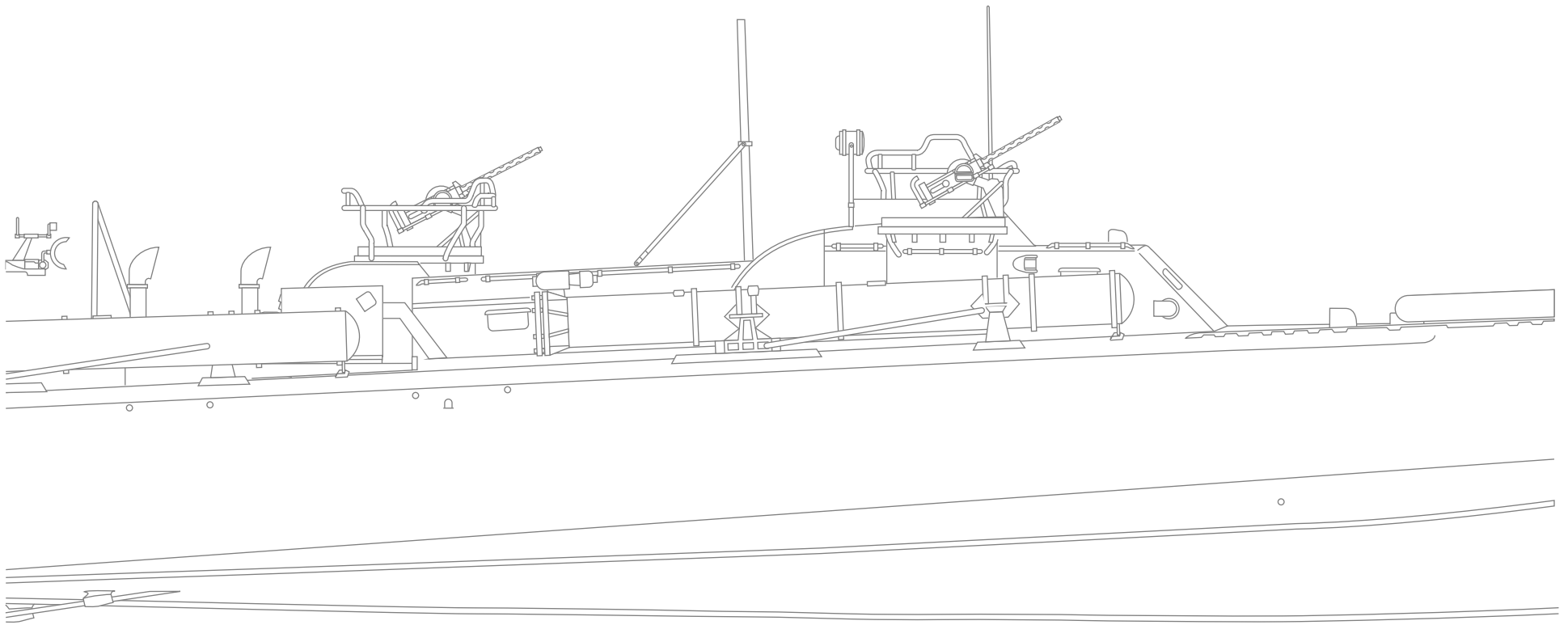


# **PT BOATS, INC.**

## **BLUEPRINT/DRAWING ORDER FORM**

All Prices Subject to Change Without Notice



Revised October 4, 2007

---

## ELCO NAVAL DIVISION BLUEPRINTS

Blueprint copies are shipped folded unless \$8 tube charge is paid. Copies are black and white.

Order No.	Description	Ref. Draw No.	Date	Kind of Copy	Condition	Builder and Class	Size	Price
1/2	Deck Plan & Trunk Cabin arrangement	1004	10/10/41	Photo 1/2 Size	Fair	Elco - PT 20-44	13x42	\$13
1	Inboard Profile, Joiner Construction	A-566	3/29/41	Photo 1/2 Size	Good	Elco - PT 10-19, PTC 1-12	15x40	\$13
2	Type Sections	565	3/29/41	Photo 1/2 Size	Fair	Elco - PT 10-19, PTC 1-12	15x37	\$13
3	Inboard Profile, Hull Construction	1015	10/17/41	Photo 1/2 Size	Fair	Elco - PT 20-44	15x42	\$13
4	Inboard Profile, Joiner Construction, Starboard	3240	7/11/45	Photo 1/2 Size	Fair	Elco - PT 103-196, 314-367	14x39	\$13
5	Inboard Profile, Joiner Construction, Port	3233	7/11/45	Photo 1/2 Size	Fair	Elco - PT 103-196, 314-367	14x39	\$13
6	Outboard Profile	3021	8/11/42	Photo 1/2 Size	Fair	Elco - PT 103-108	14x37	\$13
8	Floor Construction in Crews Quarters	3055	5/7/45	Photo 1/2 Size	Dim	Elco - PT 103-196, 314-367, 372-383, 486-545, 546-563, 565-612, 731-760	14x31	\$13
9	Floor Construction in Officers Quarters	3111	5/7/45	Photo 1/2 Size	Good	Elco - PT 522-545, 546-624, 731-760	14x40	\$13
10	Lines	3000	12/24/41	Photo 1/2 Size	Good	Elco - PT 103-138	14x47	\$13
11	Inboard Profile, Hull Construction	3052	2/27/43	Photo 1/2 Size	Good	Elco - PT 103-196, 314-367, 372-383, 486-545, 546-563	14x39	\$13
12	Bulkhead No. 4, 9 & 21 Joiner Sections	3235	7/11/45	Photo 1/2 Size	Good	Elco - PT 103-196, 314-367	14x29	\$13
13	Bulkhead No. 28, 33, 39 & 47	3234	10/20/42	Photo 1/2 Size	Good	Elco - PT 103-196, 314-367	14x39	\$13
14	Cabin Arrangement	3008	7/14/42	Photo 1/2 Size	Good	Elco - PT 103-196, 314-367	14x40	\$13
15	Deck Framing	3143	4/21/45	Photo 1/2 Size	Good	Elco - PT 613-624	15x46	\$13
16	Deck Framing	3141	3/21/45	Photo 1/2 Size	Good	Elco - PT 761-790	14x41	\$13
17	Deck Arrangement	3368	7/16/45	Blueprint	Good	Elco - PT 613-624	28x82	\$21
18	Exhaust Pipe & Muffler Support for Aux. Gen.	6104	11/27/43	Photo 1/2 Size	Dim	Elco - PT 486-521	14x34	\$13
19	Typical Deck & Section Fastenings	None	7/14/42	Photo 1/2 Size	Good	- - -	14x40	\$13
20	Hull Construction in Engine Room	3065	3/20/42	Photo 1/2 Size	Very Dim	Elco - PT 103-138	14x40	\$13
21	Outboard Profile	3022	2/9/43	Blueline 1/2 Size	Good	Elco - PT 103-196, 314-367, 372-383, RPT 15-20	14x36	\$13
22	Outboard Profile (Same as #21)	3022	2/9/43	Blueline	Good	Elco - PT 103-196, 314-367, 372-383, RPT 15-20	28x72	\$21
23	Deck Arrangement	3023	9/2/44	Blueprint	Good	Elco - PT 103-196, 314-367	27x78	\$21
24	Cabin Arrangement	3049	1/4/45	Blueprint	Good	Elco - PT 565-624	28x82	\$21
25	Type Section	None	2/15/44	Tracing	Good	Elco - PT 565-624	28x56	\$21
26	Deck Arrangement	3032	2/15/44	Tracing	Good	Elco - PT 565-624	28x78	\$21
27	Arrangement of Machinery	None	1/31/44	Tracing	Good	Elco - PT 565-624	28x56	\$21
28	Inboard Profile, Hull Construction	3131	1/16/45	Blueprint	Good	Elco - PT 565-624	28x78	\$21
29	Outboard Profile	3045	3/14/45	Blueprint	Good	Elco - PT 565-612	28x74	\$21
30	Machinery Plan of Engine Room	5105	10/23/44	Blueprint	Good	Elco - PT 565-612	27x75	\$21
31	Electrical Circuits Schematic	2402	2/14/45	Blueprint	Good	Elco - PT 565-624	28x64	\$21
32	Docking Plan	3365	4/7/45	Blueprint	Good	Elco - PT 613-624, 761-790	28x69	\$21
33	Inboard Profile, Hull Construction	3138	3/6/45	Blueprint	Good	Elco - PT 613-624	28x77	\$21
34	Type Sections	3733	8/23/45	Blueprint	Good	Elco - PT 613-624	28x62	\$21
35	Bottom Blocking	3133	12/16/44	Blueprint	Good	Elco - PT 613-624, 761-790	28x70	\$21
36	Hull Fastening Details	3154	5/3/45	Blueprint	Good	Elco - PT 613-624, 761-790	28x60	\$21
37	Power Charging & Distribution Circuit	E-2488	2/24/45	Blueprint	Good	Elco - PT 613-624	28x86	\$21
38	Boat Cradle for 80' PTs	None	5/3/43	Photo	Fair	- - -	24x44	\$21

## ELCO NAVAL DIVISION BLUEPRINTS

Blueprint copies are shipped folded unless \$8 tube charge is paid. Copies are black and white.

Order No.	Description	Ref. Draw No.	Date	Kind of Copy	Condition	Builder and Class	Size	Price
39	Chocks for 80' PTs	2	5/3/43	Photo	Fair	---	24x36	\$17
40	Casters & Tillers, Cradles for 80' PTs	3	12/15/42	Photo	Fair	---	24x36	\$17
41	Boat Cradle for 77' PTs	None	4/28/41	Photo	Fair	---	24x43	\$17
42	Chocks for 77' PTs	None	41	Photo	Poor	---	24x36	\$17
43	Outboard Profile (See #21 and #22 Above)	3022	2/9/43	Sepia	Good	Elco - PT 103-196, 314-367, 372-383, RPT 15-20	27x73	\$21
44	Type Sections (See #25 Above)	None	2/15/44	Sepia	Good	Elco - PT 565-624	27x55	\$21
45	Deck Arrangement (See #26 Above)	None	2/15/44	Sepia	Good	Elco - PT 565-624	27x77	\$21
46	Arrangement of Machinery (See #27 Above)	None	2/15/44	Sepia	Good	Elco - PT 565-624	27x50	\$21
47	Forward Gun Bracket Fastenings	None	9/2/44	Blueprint	Good	Elco	15x17	\$13
48	Bilge Piping Diagram	SK1021	---	---	Good	---	10x21	\$13
49	Elco - PT Turret Model C-IV-Installation Outline	T-10	2/15/43	Blueprint	Good	Elco	27x79	\$21
50	Elco - PT Turret Model C-IV-Sections	T-20	3/9/44	Blueprint	Good	Elco	27x76	\$21
51	Radar Model SO	None	2/18/43	Blueprint	Good	Navy Dept. Radio & Sound Div.	22x28	\$17
52	Transom to Chine & Gun'l Brackets	3194	9/14/42	Blueprint	Good	Elco - PT 103-790	28x64	\$21
53	Foundation for Torpedo Launching Racks	3812	4/18/45	Blueprint	Dan	Elco - PT 613-624, 761-790	28x78	\$21
54	Installation of Smoke Screen Gen. Mark 6	3820	8/2/45	Blueprint	Good	Elco - PT 613-624, 761-790	30x48	\$21
55	Construction of Bridge & Chart Room, Trunk	3285	6/26/43	Blueprint	Good	Elco - PT 372-383, 486-545, 546-563	28x82	\$21
56	Limiting Stop for 40MM Gun	3807	2/26/45	Blueprint	Good	Elco - PT 578-612	28x48	\$21
57	Dead Light Frames	3357	7/5/45	Blueprint	Good	Elco - PT 761-790	28x68	\$21
58	Construction of Cabin Trunk (Day Room)	3387	11/25/44	Blueprint	Good	Elco - PT 565-624	28x90	\$21
59	Bulkhead No. 4, 9, 8, 21 Joiner Sections	3400	1/29/45	Sepia	Good	Elco - PT 565-624	28x56	\$21
60	Bulkhead No. 28, 33, 39, 47 Joiner Sections	3322	9/7/44	Sepia	Good	Elco - PT 522-545, 731-760	28x75	\$21
61	Deck Framing	3117	6/24/44	Sepia	Good	Elco - PT 731-760	28x86	\$21
62	Hull Construction in Engine Room	3136	2/16/45	Sepia	Good	Elco - PT 565-612	28x83	\$21
63	After Deck Installation, 40MM gun Arrangement Details	3819	8/2/45	Sepia	Good	Elco - PT 761-790	28x65	\$21
64	Cradle for 80' PT Boats	3149	4/18/45	Sepia	Good	Elco - PT 613-624, 761-789	28x72	\$21
65	Arrangement of Chart Room	3367	8/20/45	Sepia	Good	Elco - PT 613-624	28x60	\$21
66	Boat Hook & Stowage Clips	3635	5/21/42	Sepia	Good	Elco - PT 103-196, 314-367, 372-383, 486-545, 546-563, 565-624, 731-760, 761-790	27x54	\$21
67	Deck Arrangement	3013	2/43	Sepia	Good	Elco - PT 103-196, 314-367, 372-383, RPT 13-30	27x56	\$21
68	Reverse Gear	None	---	Blueprint	Poor	All PTs	35x80	\$21
69	Cabin Arrangement	None	9/10/40	Blueprint	Good	Elco - PT 77' MTB & Subchaser	28x72	\$21
70	Lines	None	9/10/40	Blueprint	Good	Elco - PT 77' MTB & Subchaser	28x72	\$21
71	Offsets, Stern & Stern Profiles	3001	4/21/42	Photo 1/2 Size	Fair	Elco - PT 103-563	14x16	\$13
72	Propeller	None	2/2/43	Blueprint	Good	Elco - PT 103 Class	28x75	\$21
73	Type Section	A-922	10/14/41	Blueprint	Good	Elco - PT 80'	25x46	\$17
74	Inboard Profile Framing	A-924	10/25/41	Blueprint	Good	Elco - PT 80'	25x54	\$17
75	Cabin Plan	A-921	10/14/41	Blueprint	Good	Elco - PT 80'	25x56	\$17
76	Rudder Detail	CF-496	2/11/41	Blueprint	Good	Elco - PT 80'	28x56	\$17
77	Chain Adjuster - Detail Assembly	None	2/11/41	Blueprint	Fair	Elco - PT 80'	28x40	\$17
78	Gemmer Gear & Shaft	None	2/11/41	Blueprint	Fair	Elco - PT 80'	28x44	\$17
78A	Outboard Profile	3369	7/27/45	Blueprint	Good	Elco - PT 613-624	26x56	\$21

## HIGGINS INDUSTRIES BLUEPRINTS

Blueprint copies are shipped folded unless \$8 tube charge is paid. Copies are black and white.

Order No.	Description	Ref. Draw No.	Date	Kind of Copy	Condition	Builder and Class	Size	Price
79	Outboard Profile & Deck Plan	None	11/21/44	---	---	Higgins - PT 625	28x54	\$22
80	Bilge System	None	8/23/45	---	---	Higgins - PT 625	28x78	\$22
81	Lines & Offsets	2985-3A	1/16/45	---	---	Higgins - PT 625	28x60	\$22
82	Docking Plan	2985-78	8/18/44	---	---	Higgins - PT 625	28x52	\$22
83	Bonjeans Curves	2985-91	1/2/45	---	---	Higgins - PT 625	21x48	\$22
84	Inboard Plans	None	---	---	---	---	14x40	\$14
85	Inboard Profile	None	---	---	---	---	14x40	\$14
86	Details of Spray Rail	2602-403	9/9/43	---	---	Higgins - PT 295-313, 450-485	14x20	\$12
87	Hand Rail Location	2602-405	9/15/43	---	---	Higgins - PT 295-313, no scale	19x22	\$13
88	Windshield Installation, Details of Charterhouse Top	2602-239	10/19/42	---	---	Higgins - PT 71-94 & up	14x20	\$12
89	Electrical Installation, Bridge & Cabin	2602-331	4/8/43	---	---	Higgins - PT 265-313	18x22	\$13
90	Electrical Installation, Engine Room, Sheet #3	2602-191	7/27/42	---	---	Higgins - PT 71-94	18x22	\$13
91	Electrical Installation, Chart Room	None	---	---	---	Higgins - PT 71-94	17x22	\$12
92	Electrical Construction, Fixtures	None	---	---	---	Higgins - PT 265-313	16x22	\$11
93	Electrical Installation, General Lighting	2602-324	---	---	---	Higgins - PT 265-313	17x22	\$12
94	8 inch Riveted Hood Vent	2602-139	6/24/42	---	---	Higgins - PT 71-94	17x22	\$12
95	Transverse section looking forward at bulkhead, #19	2602-163	7/22/42	---	---	Higgins - PT 71-94	19x22	\$13
96	Transverse section looking aft at bulkhead, #19	2602-162	7/22/42	---	---	Higgins - PT 71-94	18x21	\$13
97	Transverse section looking aft at bulkhead, #26	2602-164	7/22/42	---	---	Higgins - PT 71-94	17x22	\$12
98	Transverse section looking aft at bulkhead, #30	2602-167	7/29/42	---	---	Higgins - PT 71-94	18x22	\$13
99	Transverse section looking forward at bulkhead, #30 Engine Room	2602-168	8/5/42	---	---	Higgins - PT 71-94	17x22	\$12
100	Transverse section looking forward at bulkhead #46, Fuel Tanks	2602-169	7/29/42	---	---	Higgins - PT 71-94	17x22	\$12
101	Transverse section looking aft at bulkhead #46	2602-170	8/6/42	---	---	Higgins - PT 71-94	17x22	\$12
102	Transverse section looking forward at bulkhead #51	2602-171	7/22/42	---	---	Higgins - PT 71-94	17x22	\$12
103	Transverse section looking forward bulkhead #6	2602-166	7/28/42	---	---	Higgins - PT 71-94	17x22	\$12
104	Details of Speaking Tube	2602-395	8/19/43	---	---	---	17x22	\$12
105	Hull Construction Plan & Profile	None	7/14/43	---	---	Higgins - PT 265-313, 450-485	15x31	\$13
106	Construction in Forecastle	None	1/2/42	---	---	Higgins - PT 71-94	13x26	\$12
107	Rudder Carrier and Reinforcement	None	6/9/42	---	---	Higgins - PT 71-94, 197-254	14x25	\$12
108	Heating & Ventilating System Layout	None	8/28/42	---	---	Higgins - PT 71-94, 197-254	14x32	\$12
109	Inboard Profile & Arrangement Plan	None	8/26/43	---	---	Higgins - PT 265-313	14x31	\$12
110	Furniture Details	None	7/7/42	---	---	Higgins - PT 71-94	14x29	\$12
111	Faint & Unreadable (engine construction something)	None	---	---	---	---	---	---
112	Wiring Layout	None	7/10/43	---	---	Higgins - PT 265-301	14x34	\$13
113	Superstructure Details & Arrangement	None	3/4/43	---	---	Higgins - PT 265-313	14x52	\$13
114	Transverse sections showing Arrangement, Engine Room (OL)	None	8/24/42	---	---	Higgins - PT 71-94, 197-254	27x56	\$21
115	Transverse sections showing Arrangement, Engine Room aft, Tank Compartment & Storeroom (OL)	None	8/24/42	---	---	Higgins - PT 71-94, 197-254	27x56	\$21

## HIGGINS INDUSTRIES BLUEPRINTS

Blueprint copies are shipped folded unless \$8 tube charge is paid. Copies are black and white.

Order No.	Description	Ref. Draw No.	Date	Kind of Copy	Condition	Builder and Class	Size	Price
116	Transverse sections showing Arrangement, Wardroom forward & Crew Quarters looking aft (OL)	None	8/24/42	---	---	Higgins - PT 71-94, 197-254	27x56	\$21
117	Outboard Profile & Deck Plan (OL)	None	12/18/44	---	---	Higgins - PT 791-808	27x52	\$21
118	Inboard Profile & Arrangement	None	10/14/42	---	---	Higgins - PT 71-94	27x56	\$21
119	Outboard Profile & Deck Plan	None	9/25/42	---	---	Higgins - PT 71-84	27x65	\$21
120	Outboard Profile & Deck Plan	None	4/3/44	---	---	Higgins - PT 455-460, 474-485	26x53	\$21
121	Outboard Profile & Deck Plan, Proposed 6 Fish Arrangement	None	11/11/43	---	---	---	16x21	\$12
122	PT 564 Experimental - 70' Higgins Details of Fillers & Stiffeners for Side Launching Rack, Scale: Half Size	2810-72	8/30/43	---	---	Higgins - PT 564 Experimental	9x11	\$8
123	PT 564 Experimental - 70' Higgins Boat Sprocket Housing, Scale: Full	2810-54	4/29/43	---	---	Higgins - PT 564 Experimental	17x22	\$12
124	PT 564 Experimental - 70' Higgins MTB Stanchion	2810-48	3/20/43	---	---	Higgins - PT 564 Experimental	17x22	\$12
125	PT 564 Experimental - 70' Higgins MTB Battery Box, Scale 3" = 1' 0"	2810-40	---	---	---	Higgins - PT 564 Experimental	17x22	\$12
126	PT 564 Experimental - 70' Higgins MTB Spreader Sling Assembly & Details	2810-34	3/8/43	---	---	Higgins - PT 564 Experimental	17x22	\$12
127	PT 564 Experimental - 70' Higgins MTB Oil Thermostat Housing, Full Scale	2810-30	---	---	---	---	17x22	\$12
128	70' 6" MTB Center Bed Details	2810-76	---	---	---	---	17x22	\$12
129	70' 6" PT Boat Frame Test Sample #1, Scale 3" = 1' 0"	2810-84	10/16/43	---	---	---	17x22	\$12
130	70' 6" PT Boat Frame Test Sample #2, Scale 3" = 1' 0"	2810-85	10/16/43	---	---	---	17x22	\$12
131	7' 6" PT Boat Frame Test Sample #3, Scale 3" = 1' 0"	2810-86	10/18/43	---	---	---	17x22	\$12
132	7' 6" PT Boat Frame Test Sample #4, Scale 3" = 1' 0"	2810-87	10/18/43	---	---	---	17x22	\$12
133	7' 6" PT Boat Frame Test Sample #5, Scale 3" = 1' 0"	2810-88	10/22/43	---	---	---	17x22	\$12
134	70' 6" PT Boat Frame Test Sample #6, Scale 3" = 1' 0"	2810-89	10/22/43	---	---	---	17x22	\$12
135	MTB Hot Plate, 78' Higgins, Scale: Half Size	2810-39	4/10/43	---	---	---	17x22	\$12
136	MTB Coffee Percolator, 78' Higgins, Scale: Half Size	2810-38	3/15/43	---	---	---	17x22	\$12

Also available, factory blueprints for PT 812. If you are interested in these plans, let us know, and we will send you a list.

**PTF NASTY 17**

Blueprint copies are shipped folded unless \$8 tube charge is paid. Copies are black and white.

Order No.	Description	Ref.n Draw No.	Date	Kind of Copy	Condition	Builder and Class	Size	Price
PTF 17	Blueprint Wiring Diagram, Bridge Panel Wiring, etc.	None	4/19/68	---	---		62x8	\$17

## NOTES ABOUT THE DRAWINGS LISTED ON THE PT BOATS, INC. BLUEPRINTS LIST

Prints 1-20 are pieces taped together but well done.

1. Cutaway of stbd. side showing compartments, bulkheads and eng. arrangement.
2. Cutaway cross section thru officers compartment. Indicates location and size of deck, side and bottom frames, planking, etc.
3. Cutaway of stbd. side showing frame.
4. Cutaway of port side showing compartments, bulkheads and eng. arrangement. Print indicates "Inboard Profile Joiner Construction Starboard Side" but view is of port side.
5. Same as #4 above except print indicates port side but view is stbd. side.
6. Stbd. side of PT 103.
7. Stbd. side of late Elco.
8. Cross section, top and side views of portable deck in crews quarters.
9. Various views shown for construction of portable deck.
10. Shows lines of boat from center line of side, top, bow & stern.
11. Cutaway of framing. Details of scarphs in chine, keel & gunwale.
12. Cross section of bulkheads showing hatches, lockers, ducts, etc.
13. Cross section of bulkheads showing hatches, dayroom, fuel tanks, etc.
14. Cutaway top view showing location of everything below deck.
15. Top view of deck framing.
16. Appears to be about same as #15.
17. Top view showing location of everything topside.
18. Blueprint, title speaks for itself.
19. Details on various fastenings.
20. Appears to show bracing in engine room.
21. Profile stbd. side of PT 109. Also have blueline drawing.
22. This is a full size blueline of #21.
23. Top view showing everything topside.
24. Top view showing compartments below deck. Also have three tracings on #24 smaller than blueprint.
25. Cross section thru engine room showing planking, framing, stringers, etc.
26. Top view showing location of everything topside.
27. Top and side views showing locations of engines.
28. Cutaway of framing. Details of scarphs in chine, keel and gunwale.
29. Stbd. profile of late Elco.
30. Top & side views showing arrangement of engines. Also fuel system flow and strainers around instrument panel.
31. Title speaks for itself.
32. Shows where to locate chocks under bulkheads.
33. Stbd. side cutaway showing framing and details of scarphs in chine, keel and gunwale.
34. Cross section thru crews quarters and engine room.
35. Bottom blocking is bracing or support for engines, shafts, etc.
36. Title speaks for itself.
37. Wiring diagram.
38. Plans to construct cradle for 80' boat.
39. Chocks for cradle.
40. Casters for cradle.
41. Plans to construct cradle for 77' boat.
42. Chocks for cradle.
43. Sepia for #21 and #22. Sepia is clear backing & can be copied.
44. Sepia for #25. Sepia is clear backing & can be copied.
45. Sepia for #26. Sepia is clear backing & can be copied.
46. Sepia for #27. Sepia is clear backing & can be copied.
47. 15x17 blueprint.
48. Side & top views showing location of bilge pumping system.
49. Top & side views of Elco turret THUNDERBOLT.
50. Top & side views of Elco turret THUNDERBOLT.

## PT LINE DRAWINGS

PT Boat line drawings aid all skill levels.

Bob Ferrell, Ron 4, Base 21, and Al Ross II, Ron 3 historian, produced most of the first series of line drawings.

Plans prefaced by the letter "H" are original builders' plans for the early series of 78' Higgins PTs. All are 8 1/2 x 14 and priced as noted. Scale varies as they were reproduced from microfilm. Image quality is not the best due to microfilm reproduction.

General arrangements show outboard profile and deck plan, unless otherwise noted.

Also available are line drawings for Vosper Motor Torpedo Boats and PTFs.

Order No.	Description	Scale	Price
2	Vosper 73' PT 379, 380-395, General Arrangement	1-72	\$1.50
3	Elco 80' PT 103-196, Large Gen. Arrangement	1-48	\$3.50
10	Elco 80' Prior to PT 565, Fwd. Cabin Ext., Top View	1-24	\$1.50
11	Elco 80' PT 103-624, Exterior Fwd. Cabin Dimensions	1-24	\$1.50
12	Elco 80' PT 565-624, Exterior Fwd. Cabin Dimensions	1-24	\$1.50
15	Elco 80' PT 613-624 Docking Plan	1-96	\$1.50
16	Elco 80' PT 565-624, Jungle Camouflage	1-96	\$1.50
19	Elco 80' PT Blocking Details	1-24	\$1.50
23A	Elco 80' PT Hull Cross Section at WTBs	1-24	\$1.50
24A	Elco 80' PT Lines and Offsets	1-96	\$1.50
25	Aerial Type Torpedo, Mark XIII	1-15	\$1.50
26	Elco 80' PT Cross Section Through Crew Quarters	1-24	\$1.50
27	Elco Thunderbolt Mark 15 Quad 20mm Gun Mount	1-28	\$1.50
28	37mm Gun used on PT 565 Class	1-15	\$1.50
28A	37mm MK4 & MK9	1-15	\$2.50
29	Bofors 40mm Gun, Single Mount	1-28	\$1.50
29A	40mm MK3	1-15	\$2.50
29B	40mm MK3 Mount	1-15	\$2.50
30	Oerlikon 20mm Gun	1-15	\$1.50
31	Nasty Glass PTF Docking Plan	1-120	\$1.50
37	Elco Masts and Radars, 1942-1945	1-27	\$1.50
38	Elco 80' PT 163-174, Zebra Camouflage	1-96	\$1.50
39	Torpedo Tube, Mark VIII	1-32	\$1.50
39A	Mark VII Percussion Firing Mechanism	1-24	\$1.50
41	Browning 50 Cal. Machine Gun, Twin Mount	1-15	\$1.50
42	Higgins 78' PT Docking Plan	1-96	\$1.50
43	Higgins 78' PT Boat Cradle	1-96	\$1.50
44	FM-26 Chock and Cradle Support for Higgins 78' PT	1-24	\$1.50
45	Higgins 78' PT Table of Offsets, Sheer and 1/2 Breadth	1-96	\$1.50
46	Higgins 78' PT 625-660, Lines and Offsets	1-96	\$1.50
47	Higgins 78' PT 625, Charthouse and Bridge Arrangement	1-32	\$1.50
48	Higgins 78' PT 791-808, Gen. Arrangement	1-96	\$1.50
51	Elco 80' PT 565-622, Gen. Arrangement	1-96	\$1.50
52	Higgins 78' PT 277-288, Gen. Arrangement	1-96	\$1.50
53	Elco 80' PT Hull Construction	1-96	\$1.50

## PT LINE DRAWINGS

Order No.	Description	Scale	Price
54	Experimental PT 1-4, Gen. Arrangement	1-96	\$1.50
55	Engine Room Hatch PT 103-196	None	\$1.50
56	Mark XIII Torpedo Rack	None	\$1.50
56A	Mark XIII Torpedo Racks	None	\$1.50
57	The Expendables, PT 31-35, 41	1-96	\$1.50
58	Elco 77' PT Boat, Interior Arrangement	1-96	\$1.50
60	Background and Tips on Building a Model PT 109	None	\$1.50
61	Elco 80' PT 103-196, 314-383, Gen. Arrangement	1-96	\$1.50
62	Alterations for Lindberg PT 109 Kit	None	\$1.50
64	Instrument Panel PT 565-624 and PT 314-367	None	\$1.50
65	Elco 77' RN MTB 397-316 (MTB 315), Med. 43	1-96	\$1.50
66	Elco 77' PT 20-44 (PT 41), P.I. 42	1-96	\$1.50
67	Elco 77' PT 45-68, New Guinea 43	1-96	\$1.50
69	Elco 80' PT 565-622 Interior Arrangement	1-96	\$1.50
70	Elco 70' PT 10-19 (PT 18) Gen. Arrangement	---	\$1.50
71	Elco 70' PT 10-19 (PT 18) Lines and Details	---	\$1.50
72	Elco 77' PT 20-44 (PT 34, Apr 42) Gen. Arrangement	---	\$1.50
73	Elco 77' PT 20-44 (PT 34, Apr 42) Lines and Details	---	\$1.50
74	Elco 77' PT 45-48, 59-68 (PT, Oct 43) Gen. Arrangement	---	\$1.50
75	Elco 77' PT 45-48, 59-68 (PT 65, Mar 43) Gen. Arrangement	---	\$1.50
76	Elco 80' PT 465-622 (PT 591, 45) Gen. Arrangement	---	\$3.50
77	Elco 80' PT Mufflers	---	\$1.50
78	Not Available	---	---
79	Dayroom Reconstruction for PT 617	---	\$6.50
80	Mark XIII Torpedo with Roll Off Launching Rack	---	\$4.50
81	50 Cal. Machine Gun Turret Mounting Drawings, Set of 12 drawings	---	\$12.50
82	Forward Turret PT 565-622	---	\$1.50
83	Camouflage	---	\$1.50
84	MK 50 5" Rocket Launcher	---	\$4.50



PT LINE DRAWINGS		
HIGGINS BUILDERS PLANS		
Order No.	Description	Price
H-1	Inboard Profile & Arrangement of PT 265-313	\$1.50
H-2	Outboard Profile & Deck Plan RPT 265-276 & RPT 289-294	\$1.50
H-3	Outboard Profile & Deck Plan PT 295-301	\$1.50
H-4	Outboard Profile & Deck Plan PT 302-313	\$1.50
H-5	Outboard Profile & Deck Plan PT 308-313	\$1.50
H-6	Outboard Profile & Deck Plan PT 277-288	\$1.50
H-7	Lines & Offsets PT 85 & PT 265-313	\$1.50
H-8	Cradle Assembly & Details PT 219-254, 265-313	\$1.50
H-9	Hull Construction Plan & Profile PT 265-313	\$1.50
H-10	Torpedo Release Gear Arrg. & Detail PT 277-288, 302-313	\$1.50
H-11	Layout & Details of Foundation for 22.5 Torpedo Tube PT 295-301	\$1.50
H-12	Torpedo Tube Pad Installation RPT 265-276 & RPT 289-294	\$1.50
H-13	Superstructure Details & Arrangements PT 265-313	\$1.50
H-14	Midship Section & Fastening Sched. PT 71-94, 197-254, 265-313	\$1.50
H-15	Fuel Tank Foundation PT 71-94, 197-254, 265-313	\$1.50
H-16	Fresh Water, Sea Water & Oil System Castings PT 71-94	\$1.50
H-17	Exhaust Pipe Layout PT 71-94, 197-254, 265-313	\$1.50
H-18	Strut & Shaft Log Arrangement PT 265-313	\$1.50
H-19	Shafts, Struts, Shaft Logs & Packing Gland Details PT 265-313	\$1.50
H-20	Main Strut on Center Shaft PT 265-313	\$1.50
H-21	Main Strut on Wing Shaft PT 265-313	\$1.50
H-22	Air Compressor Installation PT 277-288	\$1.50
H-23	Bilge System & Self Bailers PT 265-313	\$1.50
H-24	Main Fuel Tanks PT 265-313	\$1.50
H-25	Main Fuel Tank Fittings PT 265-313	\$1.50
H-26	Aux. Generator & Air Compressor Installation PT 265-313	\$1.50
H-27	Engine Piping & Arrangement PT 265-313	\$1.50
H-28	Main Engine Fuel System PT 265-313	\$1.50
H-29	Engine Beds Detail & Layout PT 265-313	\$1.50
H-30	Fresh Water, Expansion, Oil Sump Tank & Fittings PT 265-313	\$1.50
H-31	Exhaust Muffler Details PT 265-313	\$1.50
H-32	Steering Gear Details & Assembly PT 71-94, 197-254, 265-313	\$1.50
H-33	Steering Gear Box Details PT 71-94, 197-254, 265-313	\$1.50
H-34	Steering Gear Box Assembly PT 71-94, 197-254, 265-313	\$1.50
H-35	Steering Gear Box Parts PT 71-94, 197-254, 265-313	\$1.50
H-36	Steering Gear Layout PT 71-94, 197-254, 265-313	\$1.50
H-37	Steering Gear Details & Fittings PT 71-94, 197-254, 265-313	\$1.50
H-38	Variable Steering Transmission PT 71-94, 197-254, 265-313	\$1.50
H-39	Rudder Carrier & Reinforcement PT 265-313	\$1.50
H-40	Rudders, Stocks & Rudder Ports PT 265-313	\$1.50
H-41	Engine & Switchboard Wiring Diagram PT 71-94,197-254, 265-301	\$1.50
H-42	Engine Room Instrument & Switch Panel Wiring Diagram, PT 71-94, 197-254, 265-301	\$1.50

PT LINE DRAWINGS		
HIGGINS BUILDERS PLANS		
Order No.	Description	Price
H-43	Wiring Layout PT 265-301	\$1.50
H-44	Engine, Switchboard & Aux. Gen. Wiring Diagram, PT 286, 302-313	\$1.50
H-45	Wiring Layout PT 286, 302-313	\$1.50
H-46	Electrical Bonding System PT 286, 302-313	\$1.50
H-47	Lavatory & Galley Plumbing PT 265-313	\$1.50
H-48	Docking Plan PT 265-313	\$1.50
H-49	Throttle Line Fittings PT 71-94, 197-254, 265-313	\$1.50
H-50	Throttle & Telegraph Details PT 265-313	\$1.50
H-51	Throttle & Telegraph Controls Assembly PT 265-313	\$1.50
H-52	C02 System PT 197-254, 265-313	\$1.50
H-53	Telegraph Dials PT 71-94, 197-254, 265-313	\$1.50
H-54	Engine Room Blower Arrang. & Details, PT 71-94, 197-254, 265-313	\$1.50
H-55	Heating & Ventilating System Layout PT 265-313	\$1.50
<b>PTF 17 NASTY - Drawings Approx. 8" x 11"</b>		
PTF-1	Hull Construction, Profile and Overhead	\$1.50
PTF-2	Typical Section Between Two Bulkheads	\$1.50
PTF-3	Docking Plan (Sections at Various Frames and Profile of Sections)	\$1.50
PTF-4	Arrangement of Propeller Shaft, Stern Tube and Bracket	\$1.50
PTF-5	Alignment of Propulsion Machinery	\$1.50
PTF-6	Towing Arrangement Diagram	\$1.50
PTF-7	Line Drawing Profile and Deck Arrangement	\$1.50
Hist.	Brief History - one page	\$1.50
<b>VOSPER MTB - Drawings Approx. 8-1/2" x 22"</b>		
V-1	Lines	\$4
V-2	Outboard Profile	\$4
V-3	Deck Plan	\$4
V-4	Inboard Profile	\$4
V-5	General Arrangement	\$4
V-6	Construction Section	\$4
V-7	Docking Plan	\$4

# PT BOATS, INC. - BLUEPRINT/DRAWING ORDER FORM

All Prices Subject to Change Without Notice

---

Name: \_\_\_\_\_

Address: \_\_\_\_\_

City / State / Zip: \_\_\_\_\_

Phone Number: \_\_\_\_\_

Fax Number: \_\_\_\_\_

E-mail Address: \_\_\_\_\_

---

**Shipping Tube (+ \$ 13.00):** \$ \_\_\_\_\_

## **PAYMENT:**

Total Amount of Order: \$ \_\_\_\_\_

---

## **PAYMENT METHOD:**

Check No.: \_\_\_\_\_

Make Checks Payable To: **PT Boats, Inc.**

## **Credit Card: Visa or Master Card Only**

Name on Card: \_\_\_\_\_

Credit Card Number: \_\_\_\_\_

Expiration Date: \_\_\_\_\_

Signature: \_\_\_\_\_

---

**Write Blueprint Order Numbers Here:** \_\_\_\_\_

\_\_\_\_\_

\_\_\_\_\_

\_\_\_\_\_

\_\_\_\_\_

\_\_\_\_\_

\_\_\_\_\_

\_\_\_\_\_

\_\_\_\_\_

\_\_\_\_\_

**Write Line Drawing Order Numbers Here:** \_\_\_\_\_

\_\_\_\_\_

\_\_\_\_\_

\_\_\_\_\_

\_\_\_\_\_

\_\_\_\_\_

\_\_\_\_\_

\_\_\_\_\_

\_\_\_\_\_

Mail Oder To: PT Boats, Inc., P.O. Box 38070, Germantown, TN 38183-0070

Fax Order To: 901-751-0522

Phone Order: 901-755-8440

# BLUEPRINT/DRAWING ORDER WORKING FORM

All Prices Subject to Change Without Notice

Please circle the Order Number and write in the number of copies being ordered.

Check box -  - for shipping tube (add \$13.00 for tube)

Name: \_\_\_\_\_

PT BLUEPRINTS									PT LINE DRAWINGS																
QTY Order	Order No.	Price	QTY Order	Order No.	Price	QTY Order	Order No.	Price	QTY Order	Order No.	Price	QTY Order	Order No.	Price	QTY Order	Order No.	Price	QTY Order	Order No.	Price	QTY Order	Order No.	Price		
	<b>Elco</b>			41	\$17		<b>Higgins</b>				119	\$21		2	\$1.50		60	\$1.50		H-14	\$1.50		<b>PT Nasty</b>		
			42	\$17						120	\$21		3	\$3.50		61	\$1.50		H-15	\$1.50			PTF-1	\$1.50	
	1/2	\$13	43	\$21		79	\$22			121	\$12		8	\$1.50		62	\$1.50		H-16	\$1.50			PTF-2	\$1.50	
	1	\$13	44	\$21		80	\$22			122	\$8		10	\$1.50		64	\$1.50		H-17	\$1.50			PTF-3	\$1.50	
	2	\$13	45	\$21		81	\$22			123	\$12		11	\$1.50		65	\$1.50		H-18	\$1.50			PTF-4	\$1.50	
	3	\$13	46	\$21		82	\$22			124	\$12		12	\$1.50		66	\$1.50		H-19	\$1.50			PTF-5	\$1.50	
	4	\$13	47	\$13		83	\$22			125	\$12		15	\$1.50		67	\$1.50		H-20	\$1.50			PTF-6	\$1.50	
	5	\$13	48	\$13		84	\$14			126	\$12		16	\$1.50		69	\$1.50		H-21	\$1.50			PTF-7	\$1.50	
	6	\$13	49	\$21		85	\$14			127	\$12		19	\$1.50		70	\$1.50		H-22	\$1.50			Hist.	\$1.50	
	8	\$13	50	\$21		86	\$12			128	\$12		23A	\$1.50		71	\$1.50		H-23	\$1.50					
	9	\$13	51	\$17		87	\$13			129	\$12		24A	\$1.50		72	\$1.50		H-24	\$1.50					
	10	\$13	52	\$21		88	\$12			130	\$12		25	\$1.50		73	\$1.50		H-25	\$1.50					
	11	\$13	53	\$21		89	\$13			131	\$12		26	\$1.50		74	\$1.50		H-26	\$1.50					
	12	\$13	54	\$21		90	\$13			132	\$12		27	\$1.50		75	\$1.50		H-27	\$1.50					
	13	\$13	55	\$21		91	\$12			133	\$12		28	\$1.50		76	\$3.50		H-28	\$1.50					
	14	\$13	56	\$21		92	\$11			134	\$12		28A	\$2.50		77	\$1.50		H-29	\$1.50					
	15	\$13	57	\$21		93	\$12			135	\$12		29	\$1.50		78	\$6.50		H-30	\$1.50			V-1	\$4.00	
	16	\$13	58	\$21		94	\$12			136	\$12		29A	\$2.50		79	\$6.50		H-31	\$1.50			V-2	\$4.00	
	17	\$21	59	\$21		95	\$13						29B	\$2.50		80	\$4.50		H-32	\$1.50			V-3	\$4.00	
	18	\$13	60	\$21		96	\$13						30	\$1.50		81	\$12.50		H-33	\$1.50			V-4	\$4.00	
	19	\$13	61	\$21		97	\$12						31	\$1.50		82	\$1.50		H-34	\$1.50			V-5	\$4.00	
	20	\$13	62	\$21		98	\$13						37	\$1.50		83	\$1.50		H-35	\$1.50			V-6	\$4.00	
	21	\$13	63	\$21		99	\$12						38	\$1.50		84	\$4.50		H-36	\$1.50			V-7	\$4.00	
	22	\$21	64	\$21		100	\$12						39	\$1.50					H-37	\$1.50					
	23	\$21	65	\$21		101	\$12						39A	\$1.50					H-38	\$1.50					
	24	\$21	66	\$21		102	\$12						41	\$1.50					H-39	\$1.50					
	25	\$21	67	\$21		103	\$12						42	\$1.50					H-40	\$1.50					
	26	\$21	68	\$21		104	\$12						43	\$1.50					H-41	\$1.50					
	27	\$21	69	\$21		105	\$13						44	\$1.50					H-42	\$1.50					
	28	\$21	70	\$21		106	\$12						45	\$1.50					H-43	\$1.50					
	29	\$21	71	\$13		107	\$12						46	\$1.50					H-44	\$1.50					
	30	\$21	72	\$21		108	\$12						47	\$1.50					H-45	\$1.50					
	31	\$21	73	\$17		109	\$12						48	\$1.50					H-46	\$1.50					
	32	\$21	74	\$17		110	\$12						51	\$1.50					H-47	\$1.50					
	33	\$21	75	\$17		111	---						52	\$1.50					H-48	\$1.50					
	34	\$21	76	\$17		112	\$13						53	\$1.50					H-49	\$1.50					
	35	\$21	77	\$17		113	\$13						54	\$1.50					H-50	\$1.50					
	36	\$21	78	\$17		114	\$21						55	\$1.50					H-51	\$1.50					
	37	\$21	78A	\$21		115	\$21						56	\$1.50					H-52	\$1.50					
	38	\$21				116	\$21						56A	\$1.50					H-53	\$1.50					
	39	\$21				117	\$21						57	\$1.50					H-54	\$1.50					
	40	\$21				118	\$21						58	\$1.50					H-55	\$1.50					